



TUFF STEP

The Lightweight, Easy to Use, Adjustable Access System

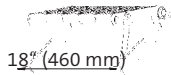


Stair and Walkway System for Temporary Access



Czech Patent 17279; • EU – int. patent pending; • USA – patent pending

Single Narrow Step



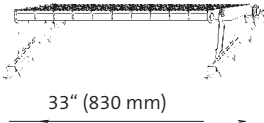
10001 Single Narrow Step – Adjustable

Heavy duty non-slip plastic treads. Measures 15" x 10" (390 mm – 250 mm). 50°Adjustment to ground slope. Unlimited number of steps may be used together, with or without connection pin. Each step weighs 5 1/2 lbs. (2.5 kg). Maximum load is 550 lbs. (250 kg) per step.

10001.....Price:



Single Wide Step



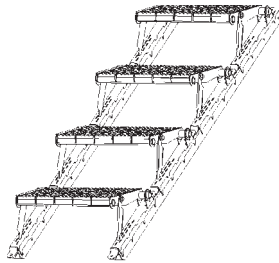
10002 Single Wide Step – Adjustable

Heavy duty non-slip plastic treads. Measures 31" x 10" (780 mm – 250 mm). 50°Adjustment to ground slope. Unlimited number of steps may be used together, with or without connection pin. Each step weighs 7 1/3 lbs. (3.3 kg). Maximum load is 550 lbs. (250 kg) per step.

10002.....Price:



Narrow Stair Section



10003 Adjustable Narrow Stair Section

59" (1500 mm) long

4 Narrow Steps mounted on an aluminum support. Can be disassembled. Railing Optional

10003.....Price:



10048 Narrow Stair Section

118" (3000 mm) long

8 Narrow Steps mounted on an aluminum support. Can be disassembled. Railing optional.

10048.....Price:

10005 Narrow Stair Section

59" (1500 mm) long

4 Narrow Steps mounted on a steel support. Can be disassembled. Railing Optional

10005 Price:



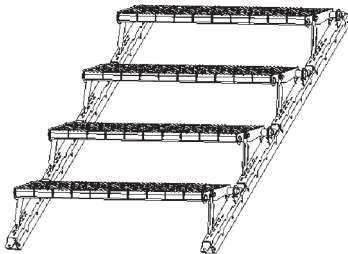
10007 Narrow Stair Section

59" (1500 mm) long

4 Narrow Steps mounted on a steel support. Can not be disassembled. Railing Optional

10007.....Price:

Wide Stair Section



10004 Adjustable Wide Stair Section

59" (1500 mm) long

4 Wide Steps mounted on an aluminum support. Can be disassembled. Railing Optional

10004.....Price:



10049 Wide Stair Section

118" (3000 mm) long

8 Wide Steps mounted on an aluminum support. Can be disassembled. Railing Optional

10049.....Price:

10006 Wide Stair Section

59" (1500 mm) long

4 Wide Steps mounted on a steel support. Can be disassembled. Railing Optional

10006.....Price:



10008 Wide Stair Section

59" (1500 mm) long

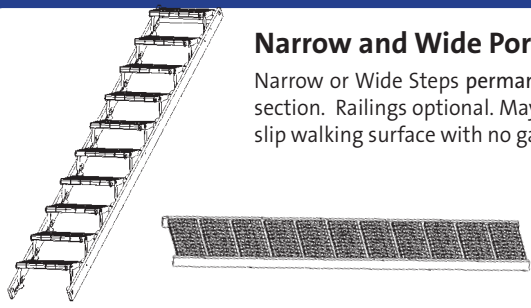
4 Wide Steps mounted on a steel support. Can not be disassembled. Railing Optional

10008.....Price:

Portable Walkway or Ramp

Narrow and Wide Portable Walkway or Ramp

Narrow or Wide Steps permanently attached to aluminum supports, ranging from 6 to 18 steps per section. Railings optional. May fold flat to create ramp. When used as ramp will provide smooth non-slip walking surface with no gaps. Maximum load is 550 lbs. (250 kg) per section.



Narrow		
Price	Part Number	# Steps/Approx Overall Length
	10070	6/67" (1700 mm)
	10072	8/90" (2300 mm)
	10074	10/114" (2900 mm)
	10076	12/138" (3500 mm)
	10078	14/162" (4100 mm)
	10080	16/185" (4700 mm)
	10100	18/209" (5300 mm)

Wide		
Price	Part Number	# Steps/Approx Overall Length
	10071	6/67" (1700 mm)
	10073	8/90" (2300 mm)
	10075	10/114" (2900 mm)
	10077	12/138" (3500 mm)
	10079	14/162" (4100 mm)
	10081	16/185" (4700 mm)
	10101	18/209" (5300 mm)

Flat Ramp

Narrow and Wide Flat Ramp

Narrow or Wide Flat Ramp, non-adjustable. Railings optional. May be used for bridging holes, on slopes or flat surfaces. Approx. 71" (1800 mm) to 149" (3800 mm) in length. Maximum load 550 lbs. (250 kg) per section.



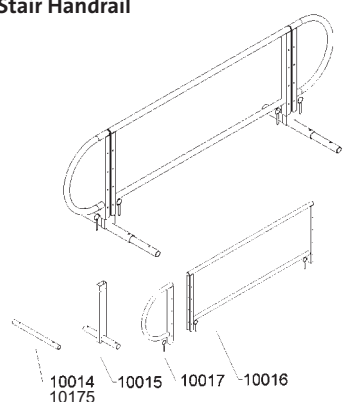
Narrow		
Price	Part Number	Approx. Length
	10084	71" (1800 mm)
	10086	90" (2300 mm)
	10088	110" (2800 mm)
	10090	130" (3300 mm)
	10092	149" (3800 mm)

Wide		
Price	Part Number	Approx. Length
	10085	71" (1800 mm)
	10087	90" (2300 mm)
	10089	110" (2800 mm)
	10091	130" (3300 mm)
	10093	149" (3800 mm)

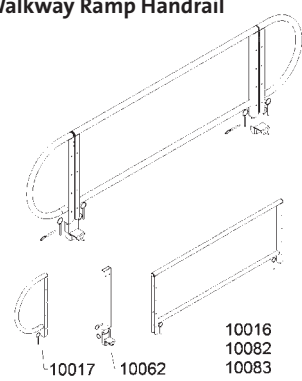


Railing

Stair Handrail



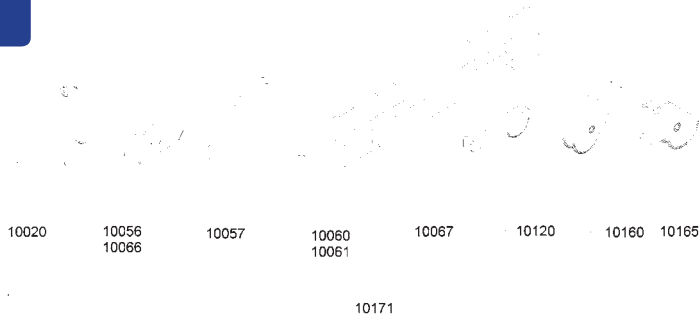
Walkway Ramp Handrail



Stair Handrail Parts		
Price	Part Number	Description
	10014	Connection Tube Narrow
	10015	Post (Stair & Steps)
	10016	Centerpiece, length 59" (1500 mm)
	10017	End Rail
	10175	Connection Tube Wide

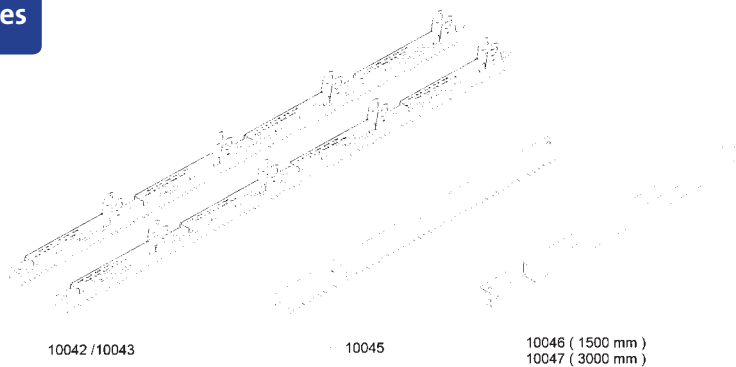
Walkway Ramp Handrail Parts		
Price	Part Number	Description
	10016	Centerpiece
	10082	Centerpiece – 98" (2500 mm) long
	10083	Adjustable Centerpiece – 59" (1500 mm) to 98" (2500 mm)
	10017	End rail
	10062	Post (walkway only)

Accessories



Accessories		
Price	Part Number	Description
	10020	Anchor Pin
	10056	Retaining Pin – 2 $\frac{1}{2}$ " (65 mm)
	10066	Retaining Pin – 4 $\frac{1}{2}$ " (115 mm)
	10057	Foot Pad
	10060	Large Attachment Hook
	10061	Small Attachment Hook
	10067	Reinforcing Connecting Bar
	10120	End Stop
	10160	Bottom End Stop
	10165	Top End Stop
	10171	Handrail Plug

Support Tubes



Support Tubes		
Price	Part Number	Description
	10042	Right Aluminum Support Tube c/w built-in steel step support
	10043	Left Aluminum Support Tube c/w built-in steel step support
	10045	Steel Support Tube
	10046	Aluminum Support Tube – 59" (1500 mm) long
	10047	Aluminum Support Tube – 118" (3000 mm) long

Applications

Tuff Step provides temporary safe working access to most sloped surfaces where anchoring is possible. May be used as individual stairs or joined together for longer reach. Possible uses include road/rail embankments, river banks, gravel pits, earth retaining walls, access to accident sites, construction sites, vehicles, general hilly terrain & temporary access between building levels. May provide safe temporary bridging over small holes and level uneven terrain.

Tuff Step is a product of World Way Safety, s.r.o. Before use read and completely understand the Instruction Manual. Use only according to Manufacturer directions.



Tuff Step is a product of World Way Safety s.r.o. (office@worldwaysafety.cz)
For further information contact our Canadian sales office at +204-422-6053 (tel.)
or +204-422-6123 (fax). Email: sales@snuffer.com

Dealer